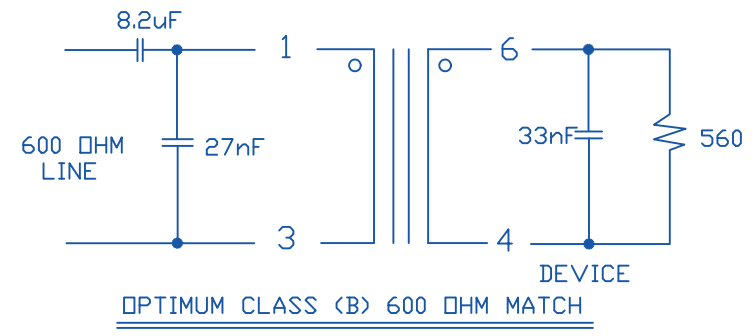
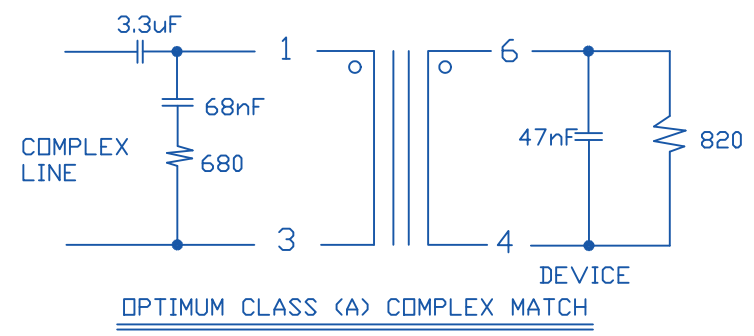
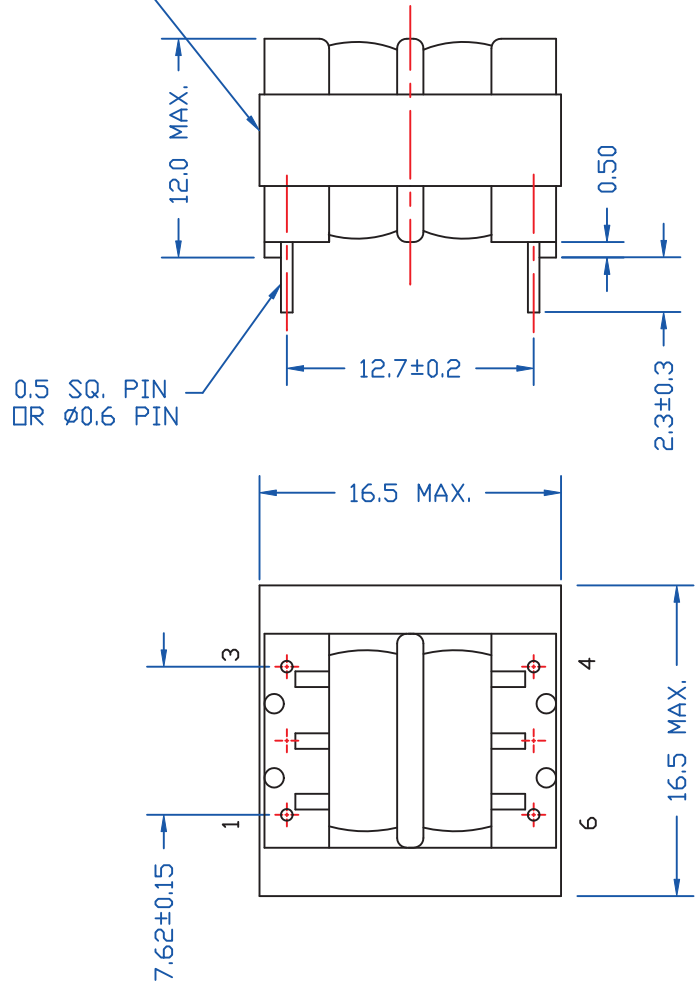


ATS-079B  
Atech



ELECTRICAL CHARACTERISTICS: (COMPATIBLE WITH P1200 FOR V.32bis)

1. D.C.R. : PIN 1-3 = 65 OHM+/-5% PIN 6-4 = 65 OHM+/-5%
2. INDUCTANCE(@200HZ,10mVrms, PARALLEL) : PIN 1-3 = 4.15H MIN.
3. LEAKAGE INDUCTANCE(@200HZ, 10mVrms, SERIES) : PIN 1-3 = 20mH MAX.
4. RETURN LOSS : (REF. 600 OHM)300 TO 4KHZ = 21dB MIN.
5. INSERTION LOSS :(@1KHZ,1Vrms) 1.3dB MAX.
6. FREQ. RESPONSE: (REF. 1KHZ) 300 TO 4KHZ = +/-0.5dB
7. TURN RATIO : (@6KHZ, 0.1Vrms) PIN 1-3 : 6-4 = 1+/-1%
8. DISTORTION : 300HZ, 0dbm : -77dB MAX.
9. HI-POT : (3750 VAC, 1mA, 1MIN.)PIN 1-6
10. RoHS COMPLIANCE

				<b>Atech</b> <sup>®</sup>		TITLE TRANSFORMER	
				Atech Technology Co., Ltd.		DWG. NO. ATS-079BR	
				TEL:(02)2794-6667 FAX:(02)2794-8004			
				UNITS:		SAFETY	
						SHEET 1 OF 1	
				CHK	APPD	DATE	P/N:
						DRAW	